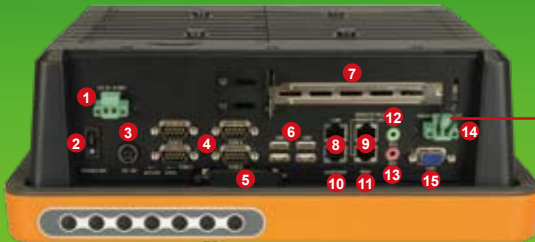


# UPC-12A

## 12.1" Aluminum UPS Panel PC with Smart Battery Backup



**Rugged Aluminum Die-casting Body!**

- 1 9~28VDC Input
- 2 Power Switch
- 3 DC 12V Power Jack
- 4 3 x RS-232 COM  
1 x RS-232/422/485 COM
- 5 User-accessible CF
- 6 4 x USB 2.0
- 7 1 x PCI Expansion Slot  
(Optional PCIe1 expansion)
- 8 2 x RJ-45 Giga LAN
- 9 Remote RS-232, Remote LAN
- 10 Clear cmos
- 11 Reset
- 12 Line-out
- 13 Mic-in
- 14 Remote DC On/Off
- 15 VGA Output



**Smart battery backup provides emergency power (14.8V, 3800 mAH)**



Smart Battery

Sunlight Readable

wireless  
802.11 b/g/n

Touch Screen

Light Sensor

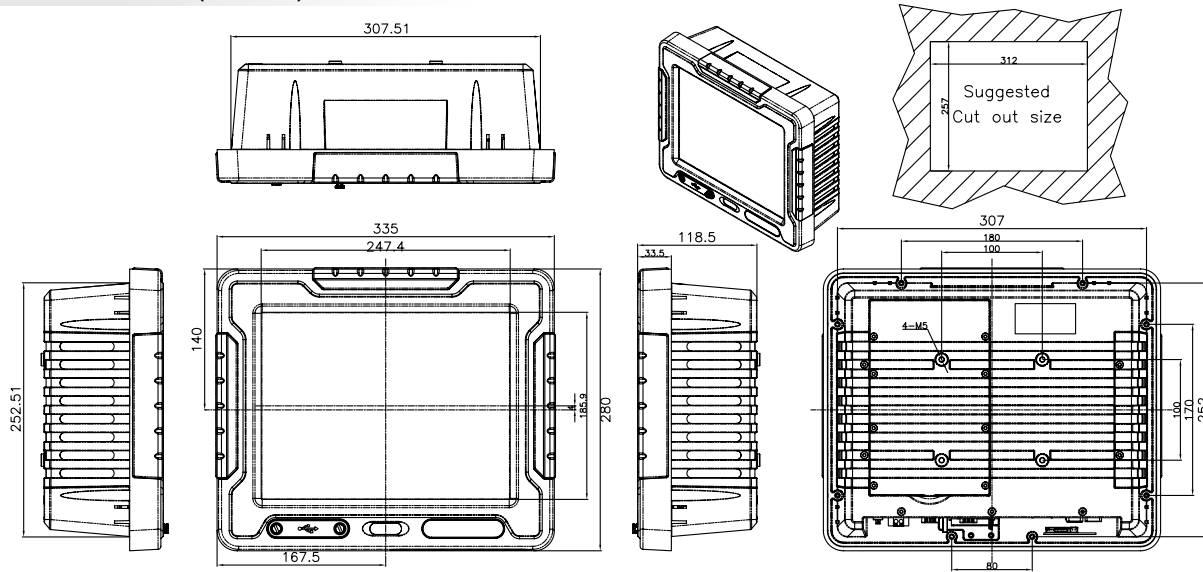
PCI/PCle Expansion  
Capability

IP 65 Front  
Panel

### Specifications

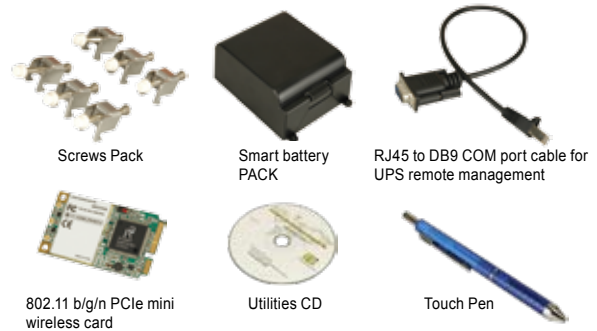
Model	Regular Brightness		Sunlight Readable		
	UPC-12A/910	UPC-12A/GM45	UPC-12AH/910	UPC-12AH/GM45	
Display	LCD Size				12.1"
	Max Resolution				1024 x 768
	Brightness (cd/m <sup>2</sup> )				450
	Contrast Ratio				700:1
	LCD Color				262k
	Pixel Pitch (mm)				0.240(H) x 0.240(V)
	Viewing Angle (V-H)				160/160
Motherboard	Backlight MTBF				50000hrs
	CPU	Intel® Celeron® M processor 1.0GHz with 512KBL2 Cache	Intel® Core™2 Duo T7500 2.2GHz Intel® Celeron® M 575 2.0GHz Intel® Core™2 Duo T9400 2.53GHz	Intel® Celeron® M processor 1.0GHz with 512KBL2 Cache	Intel® Core™2 Duo T7500 2.2GHz Intel® Celeron® M 575 2.0GHz Intel® Core™2 Duo T9400 2.53GHz
I/O	Chipset	Intel® 910GMLE + ICH6M	Intel® GM45 Chipset + ICH9M	Intel® 910GMLE + ICH6M	Intel® GM45 Chipset + ICH9M
	RAM	two DDRII SO-DIMM Up to 4GB			
Expansion	3 x RS-232 COM 1 x RS-232/422/485 COM 2 x RJ-45 Giga LAN 6 x USB 2.0 (2 waterproof USBs in front of the panel) 1 x VGA 1 x Power Switch 2 x Audio Jack (Lin-out, Mic-in) 1 x Reset Button				1 x COMS Clear Button 1 x 9~28VDC Power Jack 1 x Power Mode Switch (Battery or DC input) 1 x 9~28VDC Power Input Terminal Block 1 x Networking UPS Management Port by RJ-45 Ethernet 1 x Remote COM port by RJ-45 connector 1 x UPS Remote Power Switch (2 pin terminal block)
	LED Indicator	1 x PCI, 1 x PCIe1 (Optional), 1 x PCIe mini (Wireless LAN Module)			
Membrane Keypad	Power LED / HDD Status / Charging / Discharging / Light Sensor				
Drive Bay	LCD On/Off; Brightness Up/Down; Volume Up/Down; Auto Dimming On/Off; Battery Low Beeper (under 10% batter capacity beeper on/off)				
Battery	SSD	CF Type II			
	HDD	1 x 2.5" SATA HDD bay			
Physical	Capacity	14.8V, 3800 mAH			
	UPS run-time	60 mins	40 mins 50 mins 40 mins	50 mins	40 mins 30 mins 40 mins
Environment	Construction Material	Aluminum Die-casting			
	Mounting	VESA 100 mm x100 mm			
	Front Panel Color	Orange (Pantone 151C)			
	Dimensions (WxHxD) (mm)	335 x 280 x 119			
Touch Screen	Operation Temperature (°C)	-10°C~55°C			
	Storage Temperature (°C)	-20°C~70°C			
	Net/Gross Weight	5.8 Kg / 6.9 Kg			
Power Requirement	IP Level	IP65 Front Panel Compliant			
	Safety & EMC	CE / FCC / CCC / CB			
Power Consumption	Resistive Type 5-Wire (Touch controller IC is on board)				
		56W	63W 60W 65W	64W	73W 70W 74W

## Dimensions (Unit: mm)



## Packing List

Item	Part Number	Q'ty	Specification
Screws Pack	44003-050501-RS	4	M5; 5mm
RJ45 to DB9 COM port cable	32000-089201-RS	1	
Power Adpater	63000-FSP096AHB-RS	1	90~264V AC; 12V DC; 96W
Power Cord	32000-000002-RS	1	1750mm; European Standard
Utilities CD	7B000-000087-RS	1	
Touch Pen	XTR104-0002-RS	1	-
WiFi 802.11 b/g/n PCIe mini card	7F900-Q802XKN-RS		
Smart battery pack	BAT-LI-4S2P3800A		Lithium ion Battery 4S2P, 3800mAh, FOR UPC Series



Note: Suggest to connect DC input constantly. Battery will be drained after 14 hours.

## Options

Model	UPC-12A-910	UPC-12A-GM45	UPC-12AH-GM45
Panel mounting kit		UPCPK-12	
Wall mounting kit		AFLWK-19	
Rack mounting kit		UPCRK-12	
ARM		ARM-11-RS / ARM-31-RS	
Stand		STAND-A19 / STAND-B19 / STAND-210-RS	
OS: Win CE 6.0	UPCCF-12-910-CE060-R10	N/A	N/A
OS: Win XPE	UPCCF-12-910-XPE-R10	UPCCF-12-GM45-XPE-R10	UPCCF-12-GM45-XPE-R10
Battery Pack		BAT-LI-4S2P3800A (14.8V, 3800MAH)	
PCIe x 1 Riser Card		034D335-00-100-RS	

## Ordering Information

Part Number	Description
12.1"	UPC-12A/910-CM373/WT-R/1GB-R10 Regular Brightness
	UPC-12A/GM45-CM575/WT-R/1GB-R10 Regular Brightness
	UPC-12A/GM45-T7500/WT-R/2GB-R10 Regular Brightness
	UPC-12A/GM45-T9400/WT-R/2GB-R10 Regular Brightness
12.1"	UPC-12AH/910-CM373/WT-R/1GB-R10 Sunlight Readable
	UPC-12AH/GM45-CM575/WT-R/1GB-R10 Sunlight Readable
	UPC-12AH/GM45-T7500/WT-R/2GB-R10 Sunlight Readable
	UPC-12AH/GM45-T9400/WT-R/2GB-R10 Sunlight Readable